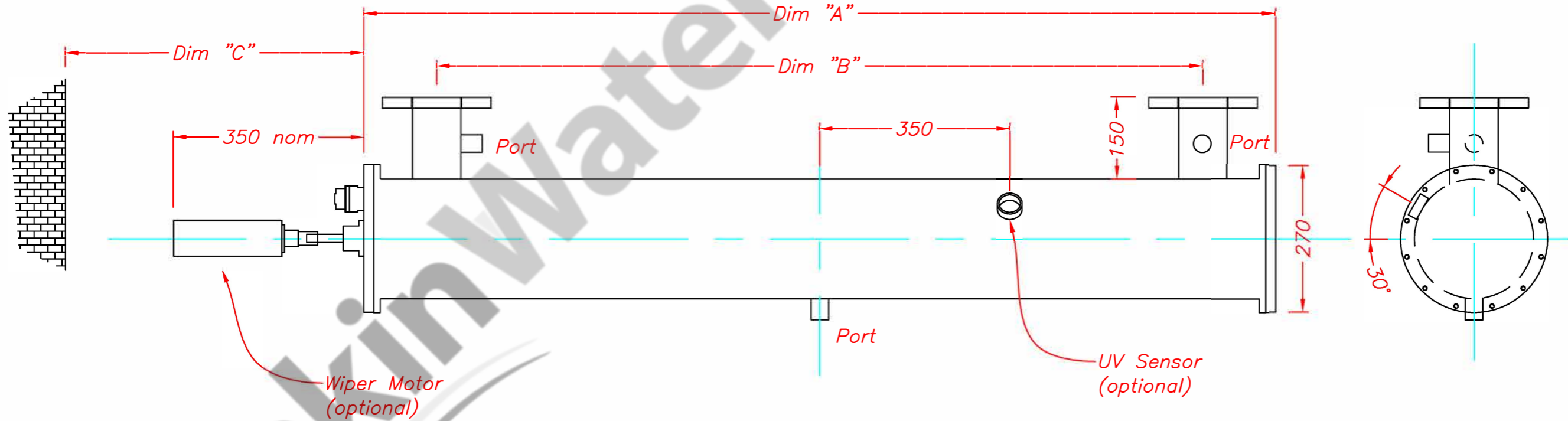


AL & AS Series – Chamber General Arrangement Drawing



STANDARD ARRANGEMENT IS SHOWN. OTHER OPTIONS TO INDIVIDUAL REQUIREMENTS ARE AVAILABLE BY SPECIAL ARRANGEMENT – CONTACT DARO UV SYSTEMS FOR DETAILS.

Access to wiper motor (if fitted) and lamps from left hand side as shown.

Two off, DN80, PN16 flanges as shown. NOTE – Dim "B" may vary if different inlets are fitted.

3 off, 1/2" BSP female ports fitted as shown – centrally to body and to each inlet.

UV monitor fitted as shown (optional).

Allow access of 1800mm minimum (from chamber end) at motor end for quartz, lamp and wiper system removal.

Allow access of 300mm for occasional removal of blank endplate.

	Dim "A"	Dim "B"	Dim "C"
AL Series	1678mm	1410mm	1800mm
AS Series	954mm	686mm	1100mm

Drg. No. DUV719

Sht. No. 21

Iss. No. 1

Customer DUVS

Product A Series

Job Ref. GA Drg

Drawn 06.05.09

By C Mathieson

Checked

Scale DO NOT

All dimensions in mm.

General tolerances, unless otherwise stated:

No decimals: ±0.5

One decimal: ±0.1

Angular: ±0.5°

COPYRIGHT

This drawing remains the property of Daro UV Systems Ltd and must not be reproduced without written consent.

